

Worm gear hand winches

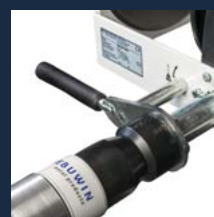
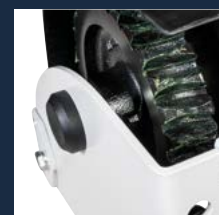
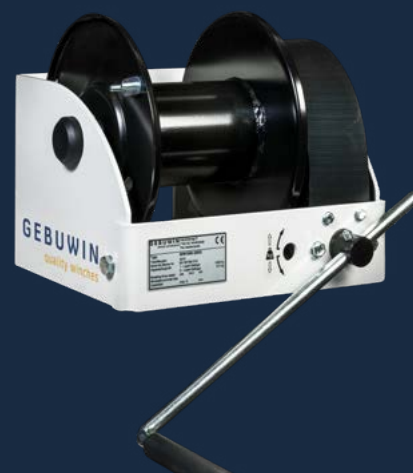
250 – 1500 kg

Description of the winch

This hand winch is very safe due to the natural braking effect of the worm gear transmission in combination with the load pressure brake. In addition, the winch is easy to use, can be mounted in various ways and has a cable storage up to 120 meters.

Product specificaties

- > winch suitable for lifting and pulling in compliance with EN13157
- > static safety factor 4
- > load pressure brake with double ratchet system for safe stable hold of the load in any position
- > cable outlet upwards, downwards or at rear
- > adjustable crank
- > suitable for wall and (optional) floor mounting
- > 1 layer of paint



Options (code)

- zinc-plated finish 6 - 8 micron (EV)
- 2 layers of paint (2L)
- grooved drum (GD)
- 2 drum compartment (2D) or multiple up to 8 (XD)
- suitable for Dyneema rope (DY)
- pressure roller (PR)
- suitable to use with webbing belt W:50 mm D:2 mm (WB)
 - belt storage WW250: 10 m
 - belt storage WW500 - WW1000: 14 m
- suitable for floor mounting (FM)
- ATEX certified zone 2 and 22 (EX)
 - CE II 3G Ex IIC T4 Gc, -20°C<T amb <+70°C
 - CE II 3D Ex IIIC T135°C Dc, -20°C<T amb <+70°C
- custom options possible - [on request](#)

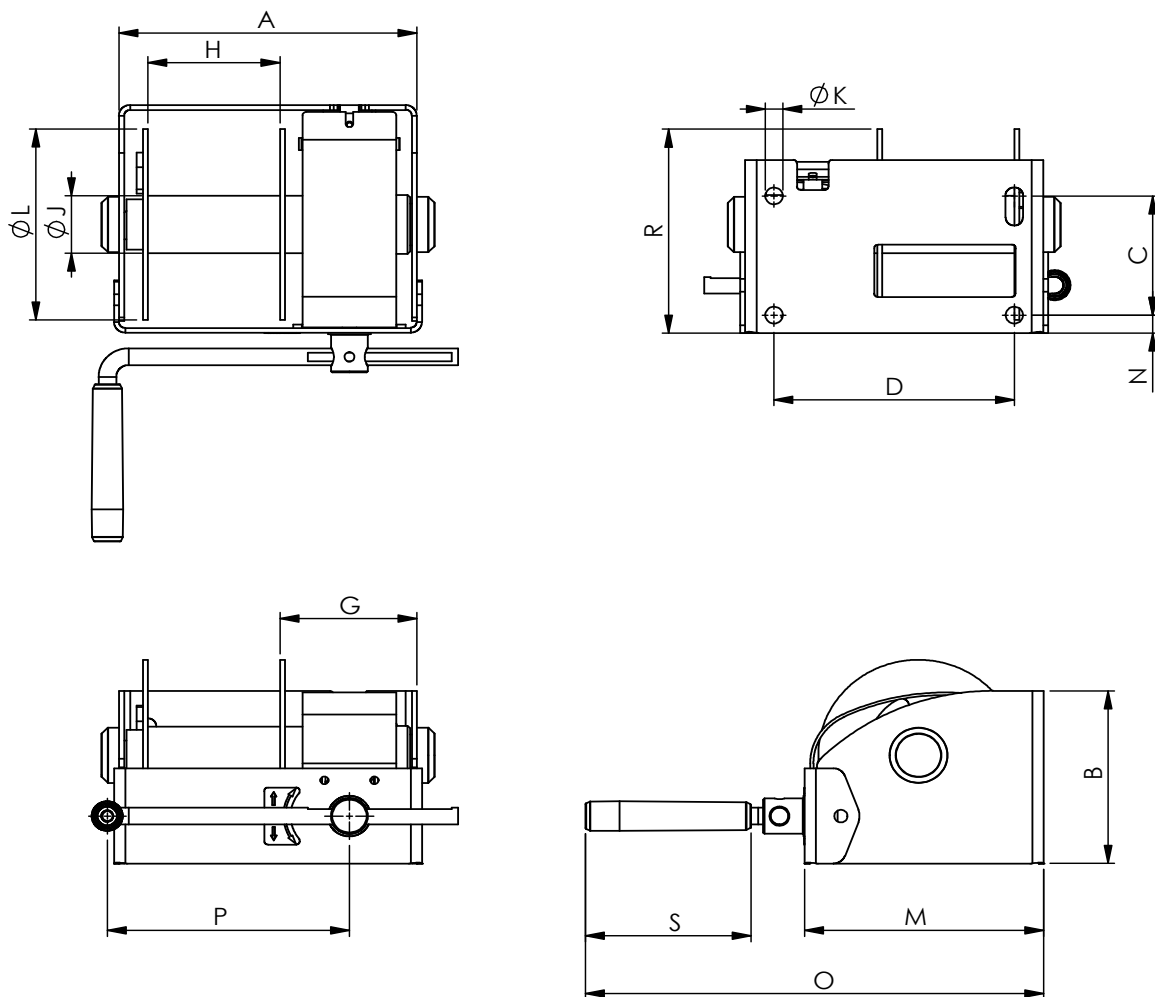
Accessories

- steel, stainless steel or fiber rope ([p. 57](#))
- pulley block ([p. 59](#))
- electric or airmotor as from WW1000 ([p. 63](#))



[Product & instruction video on YouTube](#)

Technical specifications WW250-1500



Dimensions (mm)	A	B	C	D	G	H	J	K	L	M	N	O	P	R	S
<u>WW250</u>	238	145	100	192	107	105	48	14	160	191	15	365	325	171	132
<u>WW500</u>	269	160	115	223	108	135	70	14	190	221	15	393	325	193	132
<u>WW1000</u>	302	195	141	254	109	162	102	17	240	266	15	440	350	263	132
<u>WW1500</u>	302	250	178	254	109	162	102	17	240	278	15	451	350	306	132

Technical specifications	Unit	<u>WW250</u>	<u>WW500</u>	<u>WW1000</u>	<u>WW1500</u>
Capacity 1st layer	kg	250	500	1000	1500
Capacity 4th layer	kg	179	355	722	1025
Capacity top layer	kg	92	224	527	846
Rope diameter-Ø	mm	4	6	8	10
MBL of cable	kN	9	17	34	51
Rope storage 1st layer	m	3,6	4,3	5,5	4,2
Rope storage 4th layer	m	18,7	22,8	29,3	24
Rope storage top layer	m	104	78,2	72,5	41
Lifting speed	m/min	1	1,2	0,8	0,5
Crank effort at full load	kg	5	10	13	14
Weight (without rope)	kg	10	13	22	24
Article number	no.	77281100	77281350	77281600	77281850