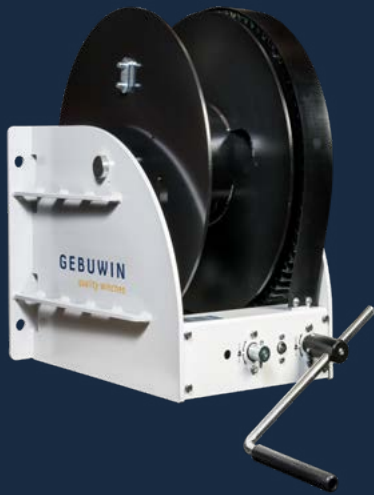


Worm gear hand winch

2000 – 7500 kg



Description of the winch

This hand winch is very safe due to the natural braking effect of the worm gear transmission in combination with the load pressure brake. In addition, the winch is easy to use, can be mounted in various ways and has a cable storage up to 120 meters.

Product specifications

- > winch suitable for lifting and pulling in compliance with EN13157
- > static safety factor 4
- > load pressure brake with double ratchet system for safe stable hold of the load in any position
- > cable outlet upwards or at rear
- > adjustable crank
- > suitable for wall and (optional) floor mounting
- > 1 layer of paint



Options (code)

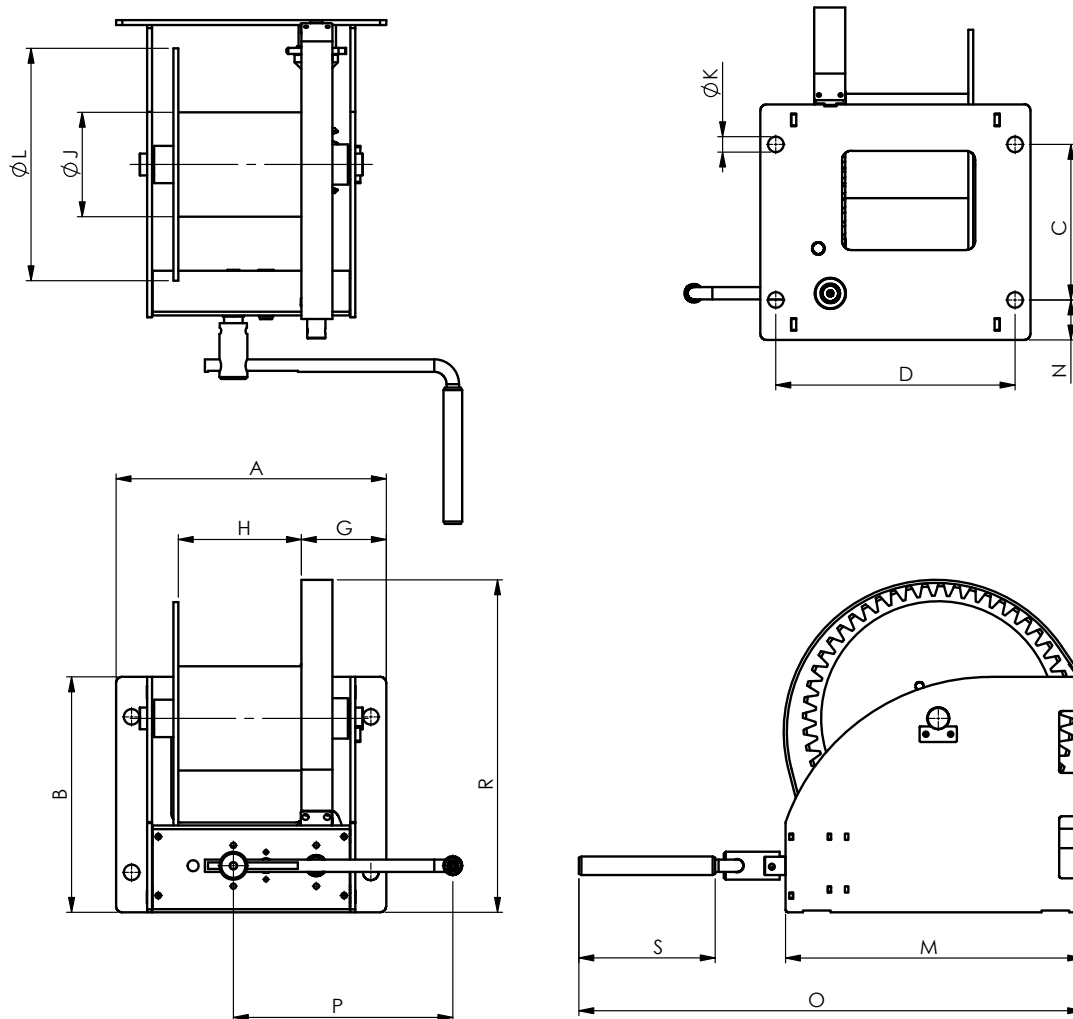
- zinc-plated finish 6 - 8 micron (EV)
- 2 layers of paint (2L)
- grooved drum (GD)
- 2 drum compartment (2D) or multiple up to 8 (XD)
- suitable for floor mounting (FM)
- suitable for Dyneema rope (DY)
- pressure roller (PR)
- free-spooling device for pulling applications. To disengage the drum (FS)
- free-spooling device with additional friction brake for controlled cable unwinding (FSB)
- ATEX certified zone 2 and 22 (EX)
 - CE II 3G Ex IIC T4 Gc, -20°C<T amb <+70°C
 - CE II 3D Ex IIIC T135°C Dc, -20°C<T amb <+70°C
- custom options possible - [on request](#)

Accessories

- steel, stainless steel or fiber rope ([p. 57](#))
- pulley block ([p. 59](#))
- electric or airmotor as from WW1000 ([p. 63](#))

CE   [Product & instruction video on YouTube](#)

Technical specifications WW2000-7500



Dimensions (mm)	A	B	C	D	G	H	J	K	L	M	N	O	P	R	S
<u>WW2000</u>	410	310	196	360	137	177	133	25	312	372	57	705	380	434	220
<u>WW2500</u>	410	310	196	360	137	177	133	25	312	372	57	705	380	434	220
<u>WW3000</u>	436	380	251	386	137	203	168	25	375	480	65	813	380	536	220
<u>WW4000</u>	436	380	251	386	137	203	168	25	375	480	65	813	380	536	220
<u>WW5000</u>	436	467	316	386	137	200	219	25	437	515	75	847	380	618	220
<u>WW7500</u>	510	500	350	455	189	202	245	25	630	635	75	968	380	748	220

Technical specifications	Unit	<u>WW2000</u>	<u>WW2500</u>	<u>WW3000</u>	<u>WW4000</u>	<u>WW5000</u>	<u>WW7500</u>
Capacity 1st layer	kg	2000	2500	3000	4000	5000	7500
Capacity 4th layer	kg	1399	1748	2143	2858	3585	5252
Capacity top layer	kg	1075	1344	1667	2223	3276	3752
Rope diameter-Ø	mm	12	12	14	14	16	22
MBL of cable	kN	60	75	102	133	168	251
Rope storage 1st layer	m	5	5,4	5,7	5,2	5,9	4,2
Rope storage 4th layer	m	28,4	30	32,5	30,8	34,2	27,9
Rope storage top layer	m	60,5	63,1	68,7	53	57,8	72,7
Lifting speed (2nd shaft)	m/min	0,7 (0,3)	0,7 (0,3)	0,7 (0,3)	0,7 (0,1)	0,8 (0,2)	0,7 (0,1)
Crank effort at full load	kg	27 (15)	28 (15)	31 (14)	30 (13)	73 (15)	78 (15)
Weight (without rope)	kg	60	60	78	80	117	190
Article number	no.	77276000	77276200	77277000	77278000	77279000	77279500