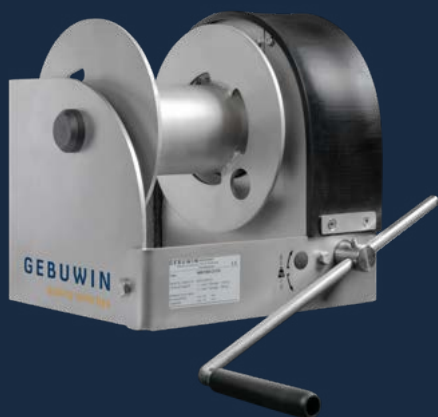


SST316 worm gear hand winch

500 – 5000 kg



Description of the hand winch

This stainless steel winch is corrosion resistant and is made of stainless steel 316. The hand winch is IP54 classified which means that it is resistant to splashing water and dust on the inside. In short: a winch for the toughest conditions.

Product specifications

- > winch suitable for lifting and pulling in compliance with EN13157
- > static safety factor 4
- > load pressure brake with double ratchet system for safe stable hold of the load in any position
- > closed gearbox to protect against environmental influence - protection classification IP54
- > cable outlet upwards, downwards or at rear
- > adjustable crank
- > suitable for wall and (optional) floor mounting
- > full stainless steel 316 body, drum, crank and all outgoing parts
- > corrosion resistant



Options (code)

- grooved drum (GD)
- 2 drum compartment (2D) or multiple up to 8 (XD)
- suitable for floor mounting (FM)
- suitable for Dyneema rope (DY)
- pressure roller (PR)
- ATEX certified zone 2 and 22 (EX)
 - CE II 3G Ex IIC T4 Gc, -20°C<T amb <+70°C
 - CE II 3D Ex IIIC T135°C Dc, -20°C<T amb <+70°C
- custom options possible - [on request](#)

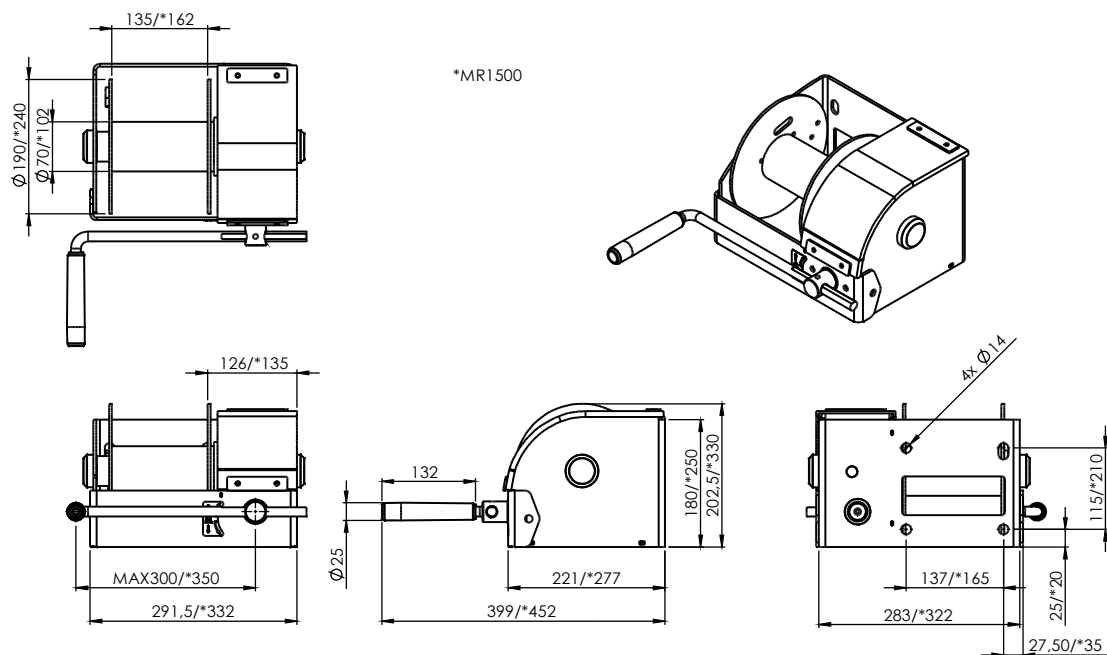
Accessories

- steel, stainless steel or fiber rope ([p. 57](#))
- pulley block ([p. 59](#))
- electric or airmotor as from WW1000 ([p. 63](#))

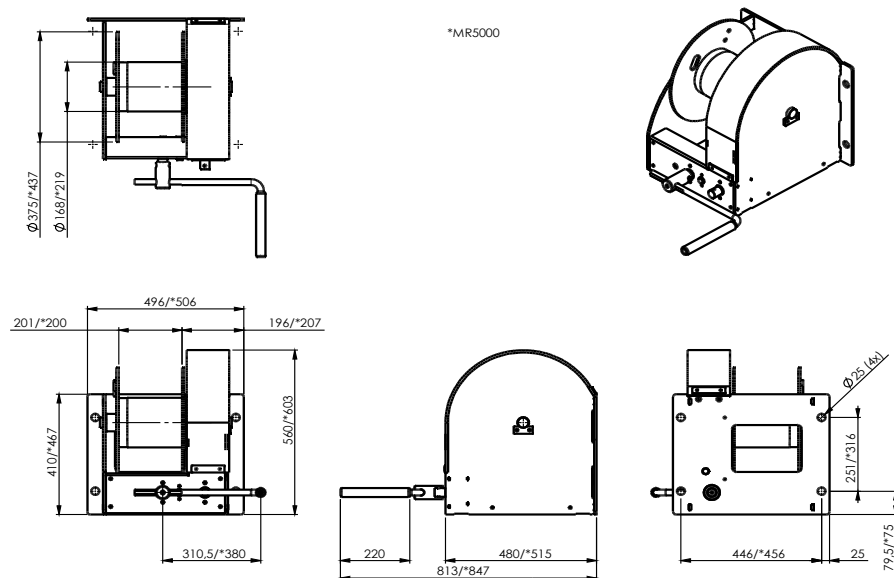


[Product & instruction video on YouTube](#)

Technical specifications MR500-1500 SST



Technical specifications MR3000-5000 SST



| Technical specifications | Unit | MR500 SST | MR1500 SST | MR3000 SST | MR5000 SST |
|---------------------------|-------|-----------|------------|------------|------------|
| Capacity 1st layer | kg | 500 | 1500 | 3000 | 5000 |
| Capacity 4th layer | kg | 355 | 1025 | 2143 | 3585 |
| Capacity top layer | kg | 224 | 846 | 1667 | 3276 |
| Rope diameter-Ø | mm | 6 | 10 | 14 | 18 |
| MBL of cable | kN | 15 | 45 | 90 | 160 |
| Rope storage 1st layer | m | 4,3 | 4,2 | 5,7 | 5,2 |
| Rope storage 4th layer | m | 22,8 | 24 | 32,5 | 31,5 |
| Rope storage top layer | m | 78,2 | 41,3 | 68,7 | 42,9 |
| Lifting speed (2nd shaft) | m/min | 1,2 | 0,5 | 0,7 (0,3) | 0,8 (0,2) |
| Crank effort at full load | kg | 10 | 14 | 31 (14) | 73 (15) |
| Weight (without rope) | kg | 16 | 30 | 104 | 135 |
| Article number | no. | 77281367 | 77281882 | 77277090 | 77279090 |