

# Spur gear hand winch

300 – 600 kg

## Description of the winch

This convenient spur gear winch excels by its speed. It is equipped with a load-pressure brake with a double ratchet system and a semi-closed housing. In short, a fine, easy winch!

## Product specificaties

- > winch suitable for lifting and pulling in compliance with EN13157
- > static safety factor 4
- > load pressure brake with double ratchet system for safe stable hold of the load in any position
- > cable outlet upwards
- > adjustable crank
- > suitable for wall mounting
- > 1 layer of paint



## Options (code)

- zinc-plated finish 6 - 8 micron (EV)
- 2 layers of paint (2L)
- ATEX certified zone 2 and 22 (EX)
  - CE II 3G Ex IIC T4 Gc, -20°C<T amb <+70°C
  - CE II 3D Ex IIIC T135°C Dc, -20°C<T amb <+70°C
- custom options possible - [on request](#)

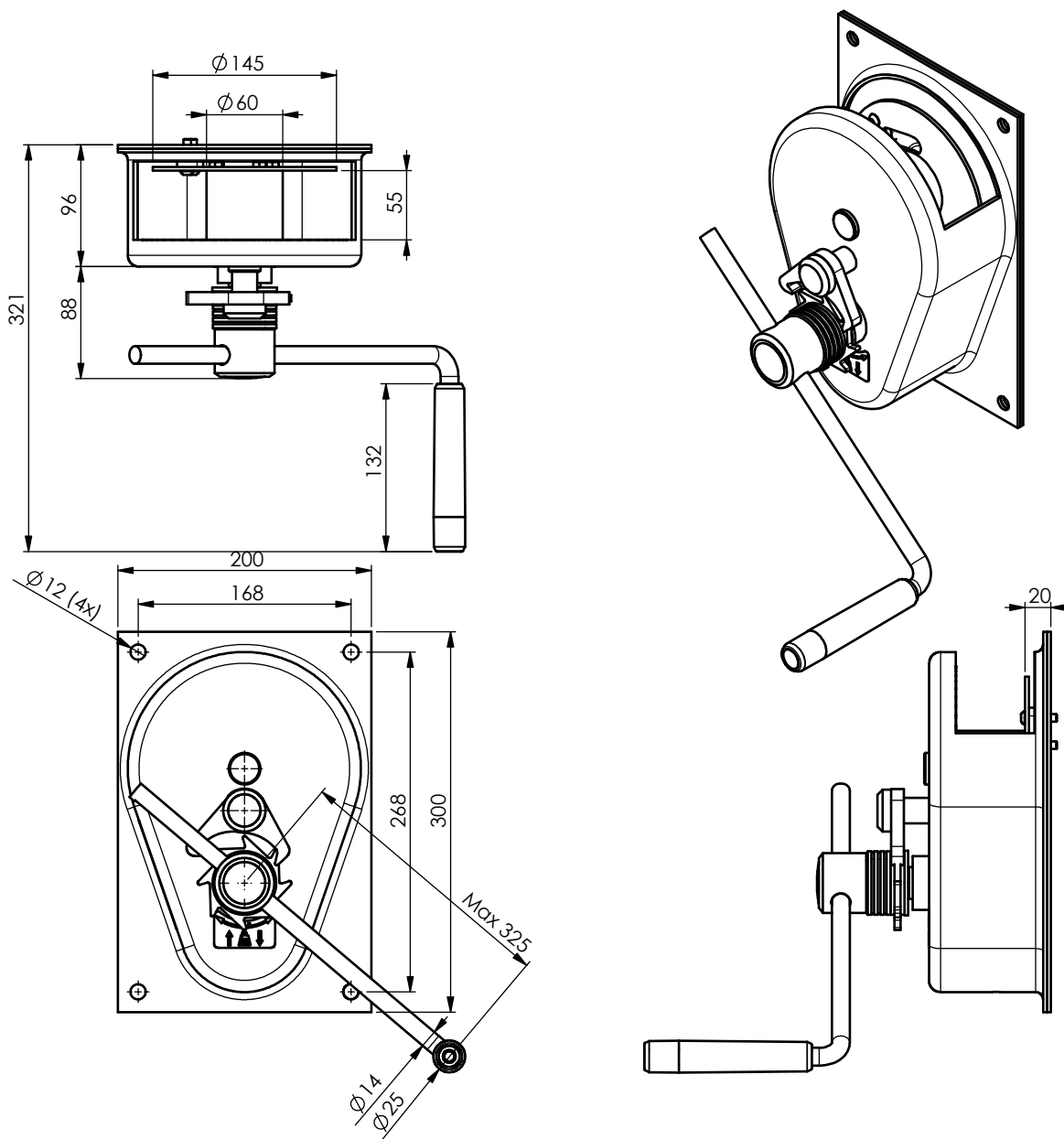
## Accessories

- steel or stainless steel rope ([p. 57](#))
- pulley block ([p. 59](#))



[Product & instruction video on YouTube](#)

## Technical specifications TL300-600



| Technical specifications  | Unit  | TL300    | TL600    |
|---------------------------|-------|----------|----------|
| Capacity 1st layer        | kg    | 300      | 600      |
| Capacity 4th layer        | kg    | 234      | 408      |
| Capacity top layer        | kg    | 172      | 336      |
| Rope diameter-Ø           | mm    | 4        | 6        |
| MBL of cable              | kN    | 9        | 17       |
| Rope storage 1st layer    | m     | 2,3      | 1        |
| Rope storage 4th layer    | m     | 12,5     | 7        |
| Rope storage top layer    | m     | 35,4     | 12,3     |
| Lifting speed             | m/min | 1,9      | 1,7      |
| Crank effort at full load | kg    | 5,5      | 10       |
| Weight (without rope)     | kg    | 10       | 11       |
| Article number            | no.   | 77121000 | 77131000 |