

Spur gear hand winch

1000 – 1500 kg



Description of the winch

This spur gear winch is fast, easy and can be mounted on both walls and floors. The free spool option is therefore also available for this winch. In addition to IP54 water resistance, this winch is also available in stainless steel 304.

Product specifications

- > winch suitable for lifting and pulling in compliance with EN13157
- > static safety factor 4
- > protection classification IP54
- > load pressure brake with double ratchet system for safe stable hold of the load in any position
- > cable outlet upwards, downwards or at the left
- > closed gearbox to protect against environmental influence
- > adjustable crank
- > suitable for wall and floor mounting
- > 1 layer of paint



Options (code)

- zinc-plated finish 6 - 8 micron (EV)
- 2 layers of paint (2L)
- stainless steel grade 304 (SST304)
- 2 drum compartment (2D)
- free-spooling device for pulling applications. To disengage the drum (FS)
- ATEX certified zone 2 and 22 (EX)
 - CE II 3G Ex IIC T4 Gc, -20°C<T amb <+70°C
 - CE II 3D Ex IIIC T135°C Dc, -20°C<T amb <+70°C
- custom options possible - [on request](#)

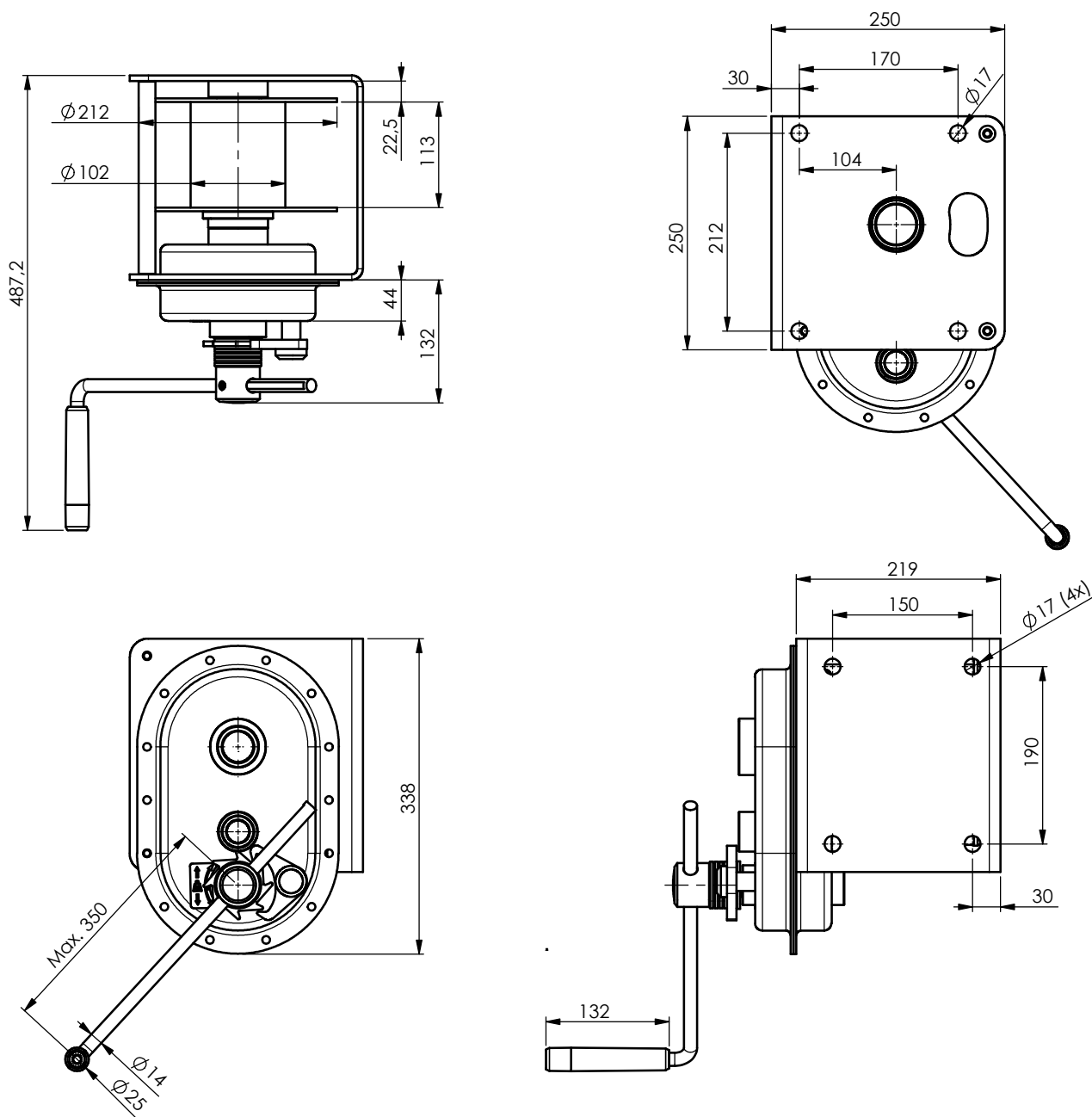
Accessories

- steel or stainless steel rope ([p. 57](#))
- pulley block ([p. 59](#))



[Product & instruction video on YouTube](#)

Technical specifications TL1000-1500



Technical specifications	Unit	TL1000	TL1500
Capacity 1st layer	kg	1000	1500
Capacity 4th layer	kg	726	1025
Capacity top layer	kg	614	927
Rope diameter- \varnothing	mm	8	10
MBL of cable	kN	34	51
Rope storage 1st layer	m	3,5	2,5
Rope storage 4th layer	m	19,5	15,4
Rope storage top layer	m	33	21
Lifting speed	m/min	1,2	0,8
Crank effort at full load	kg	11	12
Weight (without rope)	kg	27	27,5
Article number	no.	77141000	77151100