

Marine worm gear hand winch

3000 – 5000 kg

Description of the winch

This marine winch has a high corrosion resistance due to its many 316 stainless steel parts and 3 layers of C5M offshore coating. The hand winch is IP54 standardised which means that it is resistant to splash water and dust on the inside. In short: Robust!

Product specifications

- > winch suitable for lifting and pulling in compliance with EN13157
- > static safety factor 4
- > load pressure brake with double ratchet system for safe stable hold of the load in any position
- > closed gearbox to protect against environmental influence - protection classification IP54
- > cable outlet upwards, downwards or at rear
- > adjustable crank
- > suitable for wall and (optional) floor mounting
- > brushed steel frame with marine coating DIN/ISO 12944 C5M - RAL9005 (black)
- > paint thickness is 240 micron in 3 layers
- > stainless steel 316 parts: drum, crank and all outgoing shafts, bolts and nuts
- > corrosion resistant



Options (code)

- complete stainless steel 316 frame ([p. 17](#))
- grooved drum (GD)
- 2 drum compartment (2D) or multiple up to 8 (XD)
- suitable for floor mounting (FM)
- suitable for Dyneema rope (DY)
- pressure roller (PR)
- ATEX certified zone 2 and 22 (EX)
 - CE II 3G Ex IIC T4 Gc, -20°C<T amb <+70°C

Accessories

- steel, stainless steel or fiber rope ([p. 57](#))
- pulley block ([p. 59](#))
- electric or airmotor as from WW1000 ([p. 63](#))



[Product & instruction video on YouTube](#)

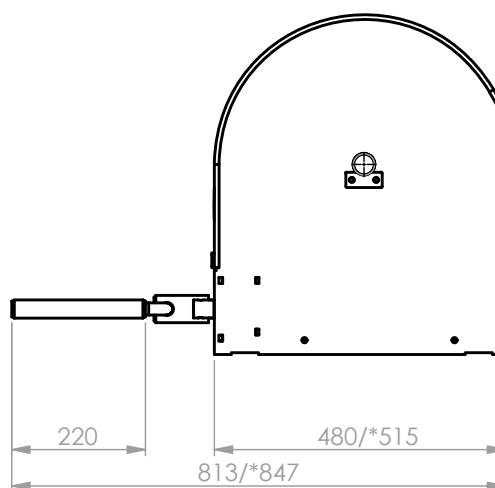
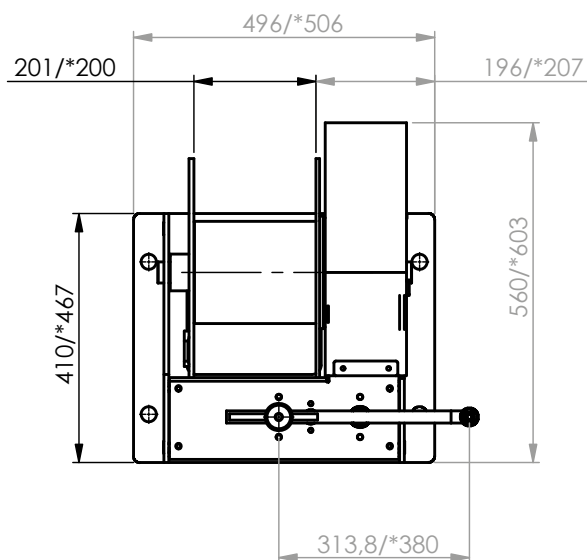
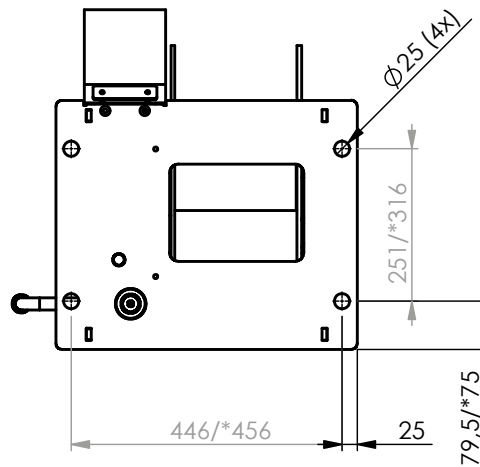
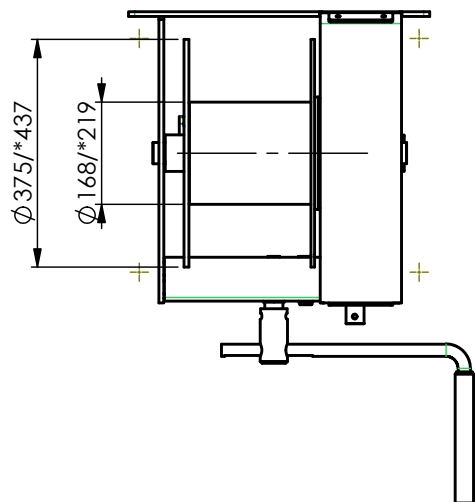
GEBUWIN
quality winches

Industrieweg 6, 7102 DZ Winterswijk, The Netherlands
Telephone: +31(0)543 532600 Email: info@gebuwin.com

For more information, visit: www.gebuwin.com

Technical specifications MR3000-5000 C5M

*MR5000



Technical specifications	Unit	MR3000 C5M	MR5000 C5M
Capacity 1st layer	kg	3000	5000
Capacity 4th layer	kg	2143	3585
Capacity top layer	kg	1667	3276
Rope diameter-Ø	mm	14	18
MBL of cable	kN	90	160
Rope storage 1st layer	m	5,7	5,2
Rope storage 4th layer	m	32,5	31,5
Rope storage top layer	m	68,7	42,9
Lifting speed (2nd shaft)	m/min	0,7 (0,3)	0,8 (0,2)
Crank effort at full load (2nd shaft)	kg	31 (14)	73 (15)
Weight (without rope)	kg	104	135
Article number	no.	77277080	77279080