

APPLICATION

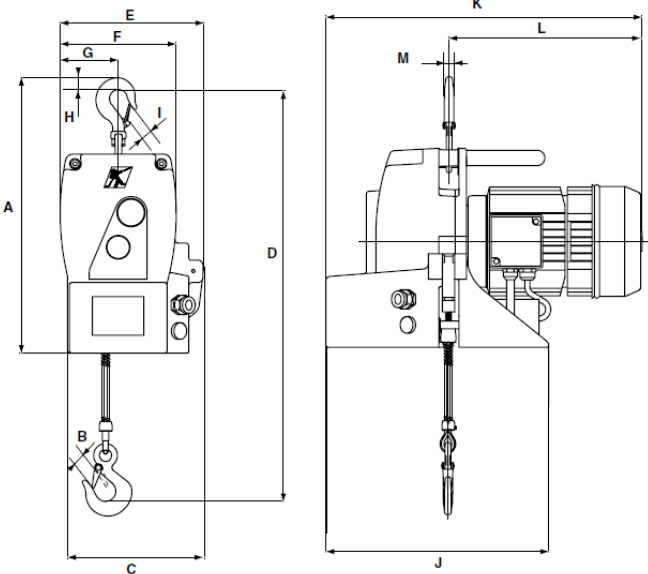
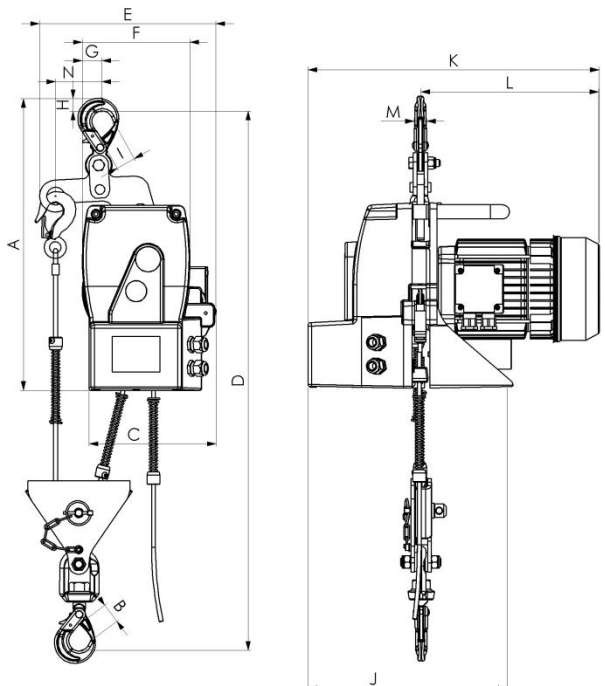
The minifor™ is compact, light-weight and easy to handle. Unlimited wire rope length and therefore unlimited lifting height. Its compactness and weight allow a quick and easy installation in confined access. The hoist implements a self-clamping drive system providing unlimited lifting wire rope travel.

DESCRIPTION

A Large range :

- Working load 0 to 550kg (unsheaved) and 0 to 1100 kg (sheaved for TR110)
- Equipped an overload device in sheaved configuration over 1000 kg
- Unlimited wire rope length and therefore unlimited lifting height
- Command with plug-in control pendant
- Lifting one fall of two falls with sheaving kit
- Power supply 230 VAC or 400 VAC. Can be used in a lot of environments: construction, industry, elevator...
- Ergonomic handle for easy carrying
- Classification FEM : 1Bm

TECHNICAL CHARACTERISTICS

Modèle	TR55				TR110									
Cable	Direct - 1 strand	Sheaved - 2 strands			Direct - 1 strand	Sheaved - 2 strands								
W.L.L. ⁽¹⁾ kg	550	-			550	1100								
Speed m/mn	7	-			7	3.5								
Weight kg	33	-			33	43								
TR55/TR110 - 1 strand					TR110 - 2 strands									
														
Model	Dimensions mm													
	A	B	C	D	E	F	G	H	I	J	K	L	M	N
TR55	430	20	212	642	224	208	90	20	28	347	519	313	15	-
TR110 1 strand	430	20	212	642	224	208	90	20	28	347	519	313	15	-
TR110 2 strands	479	29	212	876	285	208	31	20	28	347	519	313	15	75

W.L.L (1): Worked Load Limit

- Electrical power supply :

Model	3 phases ⁽³⁾	1 phase ⁽³⁾
	400V – 50 Hz	230V – 50 Hz
TR 55	✓	✓
TR 110	✗	✓

(2) low voltage controls 48V

(3) direct controls

- Diameter wire rope : 6.5 mm
- Option: anti-rotating wire rope with swivel hook
- Option return kit
- Option radio control
- I.P.55
- Up and down limit switches

APPLICABLE STANDARDS

- **CE** In conformity with Machinery Directive 2006/42/CE
- Classification according to standard FEM 9.511 : 1Bm
- Classification according to standard ISO4301/1 : M3

Code	Description	EAN Code	Weight (incl. packaging)	Packaging size
286869	TR55 230V-M-50HZ	3600232868699	43 kg	800 x 400 x 600 mm
286889	TR55 400V-T-50HZ	3600232868897	43 kg	800 x 400 x 600 mm
286909	TR110 230V-M-50HZ	3600232869092	53 kg	800 x 400 x 600 mm