

Console winch CW700

700 kg



Description of the winch

This spur gear winch is fast (2,2 m/min), easy and can be mounted on both walls and floors. The free spool option makes it possible to disengage the drum from the winch to pull out the wire quick. In addition to IP54 water resistance, this winch is also available zinc plated and stainless steel 304 and 316.

Product specifications

- > winch suitable for lifting and pulling in compliance with EN13157
- > static safety factor 4
- > protection classification IP54
- > load pressure brake with double ratchet system for safe stable hold of the load in any position
- > cable outlet upwards, downwards or at the left
- > closed gearbox to protect against environmental influence
- > free spool - to disengage the drum
- > adjustable crank
- > suitable for wall and floor mounting
- > 1 layer of paint



Options (code)

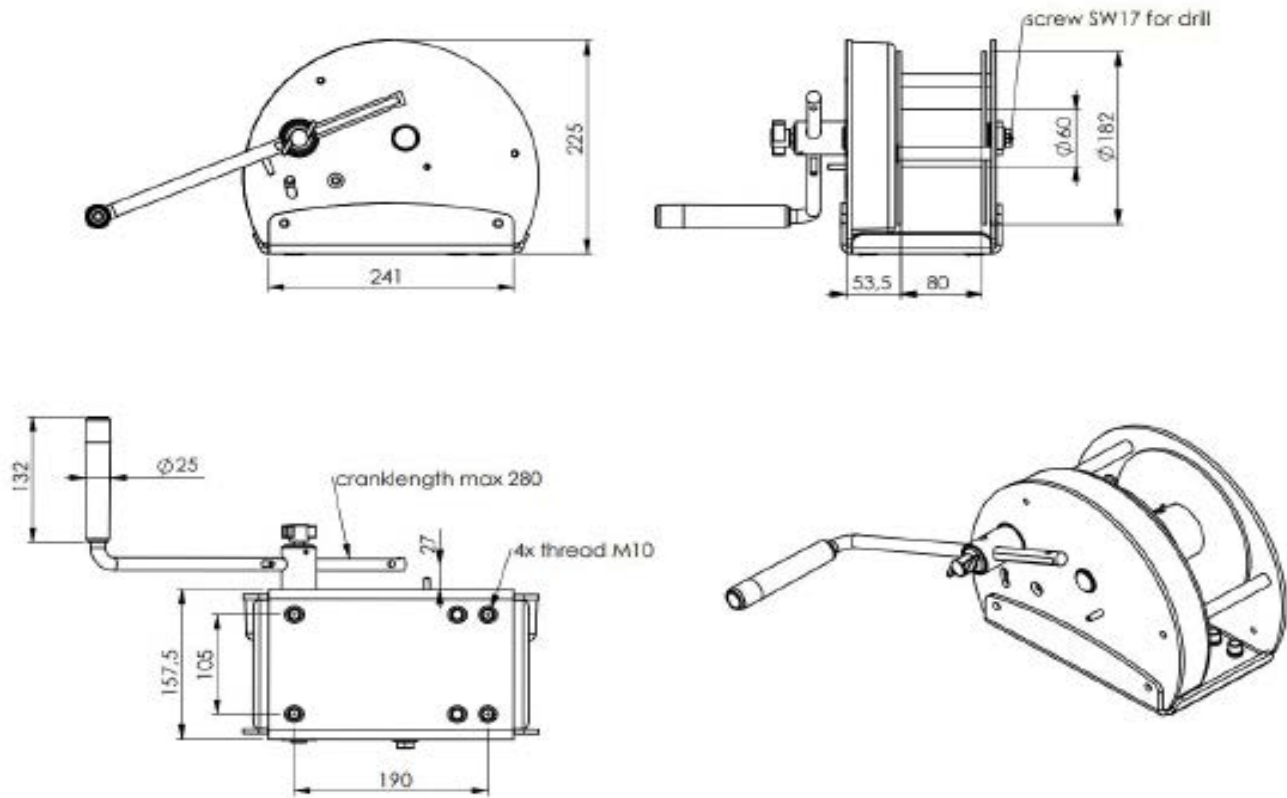
- zinc-plated finish 6 - 8 micron (EV)
- stainless steel grade 304
- stainless steel grade 316
- custom options possible - [on request](#)

Accessories

- steel or stainless steel rope ([p. 57](#))
- pulley block ([p. 59](#))

CE   [Product & instruction video on YouTube](#)

Technical specifications CW700



Technical specifications	Unit	CW700
Capacity 1st layer	kg	700
Capacity 4th layer	kg	475
Capacity top layer	kg	290
Rope diameter-Ø	mm	6
MBL of cable	kN	21
Rope storage 1st layer	m	2
Rope storage 4th layer	m	11
Rope storage top layer	m	40
Lifting speed	m/min	2,2
Crank effort at full load	kg	11
Weight (without rope)	kg	13,7
Article number	no.	77155130